



Model: \_\_\_\_\_ Item #: \_\_\_\_\_ Date: \_\_\_\_\_  
 Project: \_\_\_\_\_ Qty: \_\_\_\_\_ Approved By: \_\_\_\_\_

# Ice Bins

# Royal Series Underbar



KR18-24-10 Shown with optional Speedrail  
 Available in 1800 or 2100 Series

## Standard Features

<b>Interior</b>	20 gauge stainless steel. 12" or 15" deep
<b>Cold Plate</b>	Optional high performance built-in 10 circuit post mix cold plate. Plate is sealed into bottom. Each circuit is 5/16" OD stainless steel tubing. Two full with remainder to be half circuits. Bump and swedge fittings on ends.
<b>Front Apron</b>	20 gauge stainless steel clad over 20 gauge galvanized steel
<b>Backsplash</b>	20 gauge stainless steel
<b>Back &amp; Bottom</b>	20 gauge galvanized steel
<b>Legs</b>	1-5/8" tubular 16 gauge stainless steel w/ grey plastic bullet foot
<b>Tubing Access (Cold Plate)</b>	1800 Series: 3/4" x 3-1/2" cutout in left side of backsplash 2100 Series: 1/2" x 4.3 cutout in left side of backsplash
<b>Insulation</b>	Foamed-in-place polyurethane
<b>Plumbing</b>	Cold Plate: 1/2" IPS drain connection No Cold Plate: 1" IPS drain connection

**NOTE: Cold Plate units supplied with 1/2"x 4" male threaded PVC tailpipe**

## Optional Accessories

<b>KR-101</b>	Condiment Tray
<b>KR-103</b>	Stainless Steel Divider
<b>KR-108</b>	Perforated Bottom (Ice Bins without Cold Plates)
<b>KR-310</b>	Right End Splash
<b>KR-311</b>	Left End Splash
<b>SC"XX"H</b>	Partial Sliding Cover ("XX" denotes size of Ice Bin.) Example: 36" Ice Bin would need an SC36H
<b>SC"XX"F</b>	Full Sliding Cover ("XX" denotes size of Ice Bin.) Example: 36" Ice Bin would need an SC36F
<b>KR-401</b>	Cap Catcher and Opener
<b>KR-406</b>	Faucet installed over Ice Bin for meltdown
<b>KR-501</b>	Towel Ring
<b>Built-In Cold Plate</b>	(See features to the left)



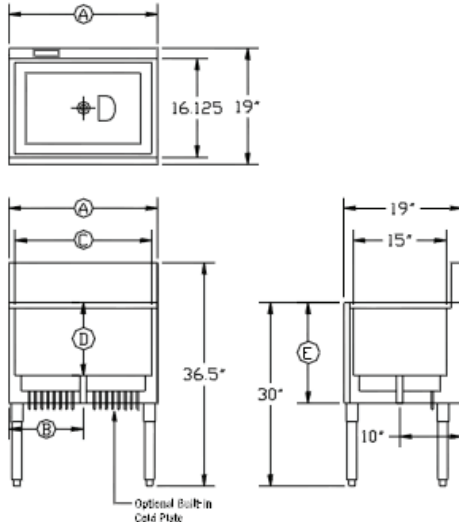


Model: \_\_\_\_\_ Item #: \_\_\_\_\_ Date: \_\_\_\_\_  
 Project: \_\_\_\_\_ Qty: \_\_\_\_\_ Approved By: \_\_\_\_\_

# Ice Bins

# Royal Series Underbar

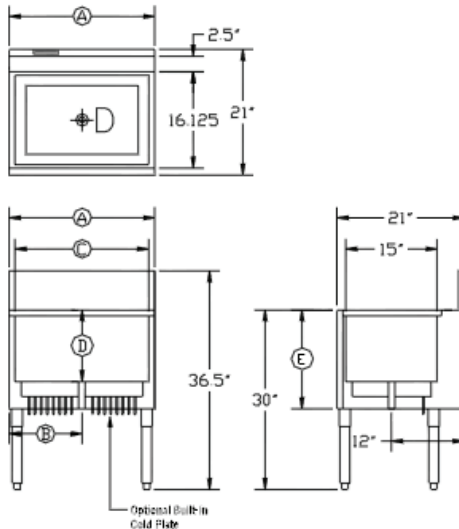
## 1800 Series



Model Numbers	Overall Length (A)	Left Side to Drain (B)	Interior Dimensions (C)	Inside Depth (D)	Outside Depth (E)	Ice Capacity (lbs.)	Cold Plate Circuits	Weight (lbs.)
*KR18-6	0'-6"	3"	15" x 4"	10"	11 1/2"	20	N/A	20
KR18-18	1'-6"	9"	15" x 16"	12"	13 1/2"	50	N/A	55
KR18-24	2'-0"	12"	15" x 22"	12"	13 1/2"	80	N/A	60
KR18-30	2'-6"	15"	15" x 28"	12"	13 1/2"	97	N/A	80
KR18-36	3'-0"	18"	15" x 34"	12"	13 1/2"	115	N/A	95
KR18-42	3'-6"	21"	15" x 40"	12"	13 1/2"	135	N/A	115
KR18-48	4'-0"	24"	15" x 46"	12"	13 1/2"	160	N/A	130
KR18-18-7	1'-6"	9"	15" x 16"	12"	13 1/2"	50	7	75
KR18-24-10	2'-0"	12"	15" x 22"	12"	16 1/2"	80	10	166
KR18-30-10	2'-6"	15"	15" x 28"	12"	16 1/2"	97	10	185
KR18-36-10	3'-0"	18"	15" x 34"	12"	16 1/2"	115	10	199
KR18-42-10	3'-6"	21"	15" x 40"	12"	16 1/2"	135	10	235
KR18-48-10	4'-0"	24"	15" x 46"	12"	16 1/2"	160	10	249
KR18-24DP	2'-0"	12"	15" x 22"	15"	16 1/2"	100	N/A	75
KR18-30DP	2'-6"	15"	15" x 28"	15"	16 1/2"	120	N/A	100
KR18-36DP	3'-0"	18"	15" x 34"	15"	16 1/2"	138	N/A	125
KR18-48DP	4'-0"	24"	15" x 46"	15"	16 1/2"	178	N/A	216
KR18-24DP-10	2'-0"	12"	15" x 22"	15"	19 1/2"	100	10	188
KR18-30DP-10	2'-6"	15"	15" x 28"	15"	19 1/2"	120	10	225
KR18-36DP-10	3'-0"	18"	15" x 34"	15"	19 1/2"	138	10	270
KR18-48DP-10	4'-0"	24"	15" x 46"	15"	19 1/2"	178	10	296

\*KR18-6 must ship attached at factory. Cannot ship loose. Free standing unit not available.

## 2100 Series



Model Numbers	Overall Length (A)	Left Side to Drain (B)	Interior Dimensions (C)	Inside Depth (D)	Outside Depth (E)	Ice Capacity (lbs.)	Cold Plate Circuits	Weight (lbs.)
*KR21-6	0'-6"	3"	15" x 4"	10"	11 1/2"	20	N/A	20
KR21-24	2'-0"	12"	15" x 22"	12"	13 1/2"	80	N/A	60
KR21-30	2'-6"	15"	15" x 28"	12"	13 1/2"	97	N/A	80
KR21-36	3'-0"	18"	15" x 34"	12"	13 1/2"	115	N/A	95
KR21-42	3'-6"	21"	15" x 40"	12"	13 1/2"	135	N/A	115
KR21-48	4'-0"	24"	15" x 46"	12"	13 1/2"	160	N/A	130
KR21-24-10	2'-0"	12"	15" x 22"	12"	16 1/2"	80	10	166
KR21-30-10	2'-6"	15"	15" x 28"	12"	16 1/2"	97	10	185
KR21-36-10	3'-0"	18"	15" x 34"	12"	16 1/2"	115	10	199
KR21-42-10	3'-6"	21"	15" x 40"	12"	16 1/2"	135	10	235
KR21-48-10	4'-0"	24"	15" x 46"	12"	16 1/2"	160	10	249
KR21-24DP	2'-0"	12"	15" x 22"	15"	16 1/2"	100	N/A	75
KR21-30DP	2'-6"	15"	15" x 28"	15"	16 1/2"	120	N/A	100
KR21-36DP	3'-0"	18"	15" x 34"	15"	16 1/2"	138	N/A	125
KR21-48DP	4'-0"	24"	15" x 46"	15"	16 1/2"	178	N/A	216
KR21-24DP-10	2'-0"	12"	15" x 22"	15"	19 1/2"	100	10	188
KR21-30DP-10	2'-6"	15"	15" x 28"	15"	19 1/2"	120	10	225
KR21-36DP-10	3'-0"	18"	15" x 34"	15"	19 1/2"	138	10	270
KR21-48DP-10	4'-0"	24"	15" x 46"	15"	19 1/2"	178	10	296

\*KR21-6 must ship attached at factory. Cannot ship loose. Free standing unit not available.

### Mechanical Requirements:

1" IPS drain connection without Cold Plate. 1/2" IPS drain connection with Cold Plate