



Your Solutions Partner

Specifications

F.O.B Sedalia, Missouri 65301



313-25
Shown with optional 3 bar tray slide

OPTIONS:

- Sliding doors
- Door locks
- Serving shelves w/glass protector panels
- Designer Foodshields
- Trayslides
- Adapter bars
- Adapter panels
- Stainless steel carving boards
- Wood carving boards
- Kick plates
- 5" casters, 2 swivel w/locks
- Die stamped openings - 12" x 20" (Hot Food Style Top)
- Stainless steel dish shelf
- Drop brackets on tray slide
- False bottom - perforated, stainless
- 8" deep liner
- Open base - omit undershelves
- Veneered plastic laminate panels on body
- Special powder coat painted body
- Body latches

AGENCY LISTINGS:



Ice Pan Only

DUKE MANUFACTURING CO.

2305 N. Broadway
St. Louis, MO 63102

800.735.3853 Toll Free
314-231-1130 In Missouri
314.231.5074 Fax
www.dukemfg.com

SS-DM-00010-ASC-05

Approval Stamp(s):

PRODUCT INFORMATION:

PROJECT: _____

ITEM: _____

QUANTITY: _____

MODEL:

AeroServ Serving Systems Cold Pan Units - Ice Cooled

- 313-25** 46" length unit/40" length top surface
- 314-25** 60" length unit/54" length top surface
- 325-25** 74" length unit/68" length top surface

TOP:

- 20 gauge, 300 Series stainless steel
- Cut-out, flanged down and attached to liner of cold pan

LINER:

- 18 gauge, 300 Series stainless steel - 5" deep, 19-7/8 wide
- Insulated on all four sides and bottom
- 1" cast brass drain and plug

BODY:

- Paint grip or stainless steel
 - Choice of (12) powder coat paint colors (must choose one)
 - #217105 - Designer White
 - #217150 - Orange
 - #217107 - Hollyberry Red
 - #217127 - Fence Green
 - #217102 - Silver Hammer
 - #217101 - Semi-Gloss Black
 - #217103 - Natural Almond
 - #217154 - Racing Red
 - #217120 - Sky Blue
 - #217152 - Stone Gray
 - #217113 - Brown Kickplate
 - #217125 - Textured Black
- Flanged or channeled edges
 - Welded together with local reinforcements
 - Mounted on 6" stainless steel legs with adjustable feet

SHORT FORM SPECIFICATIONS:

Duke AeroServ Serving Systems - Cold Pan Units - Ice Cooled - Top shall be 20ga s/s, 300 series Stainless Steel flanged down edges against body s/s, 5" deep s/s pan liner, insulated, 1" brass drain, 20ga s/s body, s/s intermediate & bottom shelf, 6"H s/s legs & adjustable feet

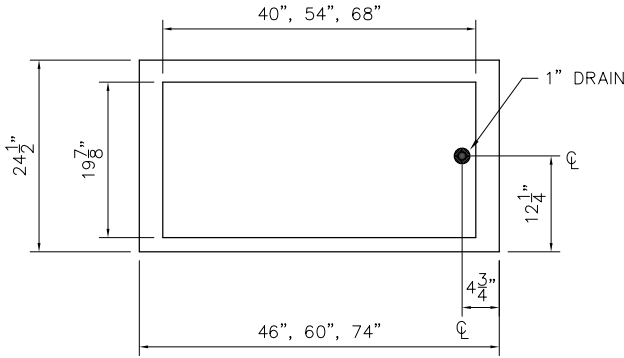
AeroServ

AEROSERV SERVING SYSTEMS

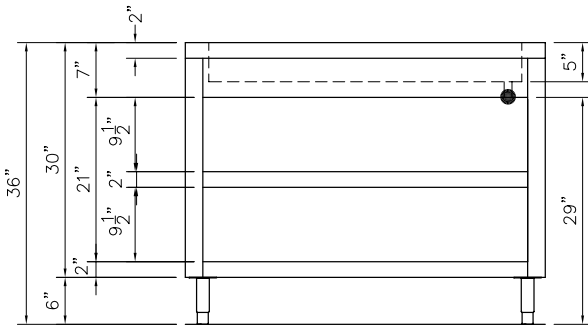
Cold Pan Units - Ice Cooled

- ☐ **313-25** 46" length unit / 40" length surface
- ☐ **314-25** 60" length unit / 54" length surface
- ☐ **325-25** 74" length unit / 68" length surface

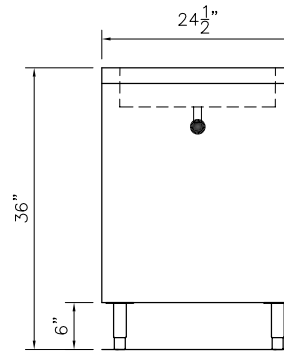
LEGEND
● - DRAIN LOCATION



TOP VIEW



FRONT VIEW



RIGHT SIDE VIEW

DIMENSIONS:

Freight Class: 150

Model	Length		Width		Height		Cube ft. crated	Weight		Cold Pan Length	
	in	cm	in	cm	in	cm		lbs	kg	in	cm
313-25	46	116.8	24-1/2	62.2	36	91.4	37.7	220	100.0	40	101.6
314-25	60	152.4	24-1/2	62.2	36	91.4	47.9	284	129.1	54	137.2
325-25	74	188.0	24-1/2	62.2	36	91.4	58.1	349	158.6	68	172.7



DUKE MANUFACTURING CO.
 2305 N. Broadway
 St. Louis, MO 63102

800.735.3853 Toll Free
 314.231.5074 Fax
www.dukemfg.com

Specification subject to change

05/11
 Printed in U.S.A
 © 2011, Duke Manufacturing Co.