

Project	Quantity	Item #
Model Specified:		CSI Section 11400

Spacesaver Wine Cooler Models/ Self-Contained



Model UR30WT
(shown with optional full length clear glass door)

One & Two Section Reach-In Models, 24" Deep



Stainless Exterior
& Interior

30" Wide Model
48" Wide Model

UR30WT
UR48WT

The Spacesaver wine units were specifically designed to encourage the development of fine wine. Their compact footprints are all 24" deep, and are available in either 30" wide or 48" wide models. They can be built in, or left freestanding.

Traulsen's unique wine rack controls sedimentation by reducing vibration. This specially designed shelf properly tilts bottles, keeping the corks moist and preventing bottle slippage. This has the added benefit of allowing easy access to all bottles and positioning these for easy label viewing. Each wine rack has an approximate capacity of 10-12 bottles per shelf (actual capacity may vary due to differing bottle diameters)

Standard Features

- Stainless Steel Exterior And Interior
- Operating Temperature of 53-57°F
- Exterior Mounted Digital Thermometer
- Full Length Stainless Steel Door(s) With Locks
- Eight (8) Chrome Plated Wine Racks Per Section
- Magnetic Snap-In Door Gaskets
- Guaranteed For Life Stainless Steel Horizontal Work Flow Door Handles - (solid doors only)
- Guaranteed For Life Door Hinges
- Self-Closing & Stay Open Door Features
- Stainless Steel Breaker Caps
- Automatically Activated Interior Incandescent Lights
- Set Of Four (4) 6" High Stainless Steel Adjustable Legs
- One Piece Lift-Up Louver Assembly
- Automatic Condensate Removal System
- Cord and Plug Attached
- 1 Year Parts And Labor Warranty
- 5 Year Compressor Warranty

Options & Accessories

- Fluorescent Lights (model UR48WT only)
- Full Height Clear or Black Glass Door(s)
- Half Height Stainless Steel, Clear or Black Glass Doors
- Additional Chrome Plated Wine Racks
- 4½" High Flush Stainless Steel Base With Levellers & Rollers
- Set of Four (4) 6" High Casters
- Remote Applications
- Two Year Service Labor Warranty Available



Listed by Underwriters Laboratories Inc., to U.S. and Canadian safety standards and Listed by NSF International.

Approval: _____



TRAULSEN
4401 BLUE MOUND RD.
PHONE 1 (800) 825-8220
Website: www.traulsen.com

FT. WORTH, TX 76106
FAX-MKTG. 1 (817) 624-4302

SECTION
8-2

Project	Quantity	Item #
Model Specified:		CSI Section 11400

Specifications

Construction, Hardware and Insulation

Unit exterior sides, front, door and interior are constructed of heavy gauge stainless steel. Exterior top, back and bottom are constructed of heavy gauge aluminized steel.

Door is equipped with guaranteed for life cam lift, gravity-action, metal glide hinges with stay open feature at 120°. Guaranteed for life, work flow handle is mounted horizontally over recess in door which limits protrusion from door face into aisle ways. A cylinder door lock is provided standard.

Easily removable for cleaning, vinyl magnetic gasket assures tight door seal. Anti-condensate heaters are located behind each door opening.

Cabinet and door contain high density, non-CFC, foamed in place polyurethane insulation.

Models UR30WT and UR48WT are supplied standard with a set of four (4) 6" high adjustable stainless steel legs.

DIMENSIONAL DATA	UR48WT	UR30WT
Net Capacity - cu. ft.	31.6 (895 cu l)	17.9 (455 cu l)
Length - Overall in.	48 (121.9 cm)	29 $\frac{7}{8}$ (75.9 cm)
Depth - Cabinet Only in.	24 (61 cm)	24 (61 cm)
Depth - with Door Open 90° in.	45 $\frac{5}{8}$ (115.9 cm)	49 $\frac{5}{8}$ (126 cm)
Depth - Overall in.	27 (68.5 cm)	27 (68.5 cm)
Clear Door Width - in.	17 $\frac{3}{4}$ (44.8 cm)	21 $\frac{1}{2}$ (54.6 cm)
Clear Door Height - in.	57 $\frac{3}{4}$ (146.4 cm)	57 $\frac{3}{4}$ (146.4 cm)
Height - Overall on 6" Legs in.	83 $\frac{3}{4}$ (211.5 cm)	83 $\frac{3}{4}$ (211.5 cm)
Height - Overall on 4 $\frac{1}{2}$ " Base in.	81 $\frac{3}{4}$ (207.6 cm)	81 $\frac{3}{4}$ (207.6 cm)
Number of Wine Racks	16	8
Shelf Area - Total sq. ft.	45.5 (4.2 sq m)	26.2 (2.4 sq m)
ELECTRICAL DATA (at 115/60/1)		
Voltage	115/60/1	115/60/1
Feed Wires with Ground	3	3
Full Load Amperes	7.8	4.0
Wattage ¹	628	354
REFRIGERATION DATA		
Refrigerant	R-134a	R-134a
BTU/HR (HP) ²	1696 ($\frac{1}{2}$ HP)	805 ($\frac{1}{6}$ HP)
CARTON DIMENSIONS Domestic Crated Only		
Length - crated in.	53 (135 cm)	35 (88.9 cm)
Depth - crated in.	33 (84 cm)	33 (84 cm)
Height - crated in.	85 (216 cm)	85 (216 cm)
Volume - crated cu. ft.	87 (2453 cu l)	57 (1614 cu l)
WEIGHT DATA³		
Net Weight - uncrated lbs.	450 (204 kg)	340 (154 kg)
Gross Weight - crated lbs.	550 (250 kg)	430 (195 kg)

NOTES

NOTE: Figures in parentheses reflect metric equivalents.

1= Wattage is determined by listed amps X listed volts X an average run time of 70% for refrigerators and 80% for freezers.

2= Based on a 90 degree F ambient and 20 degree F evaporator.

3= For approximate remote weights deduct 40 lbs. from respective net or gross weight. For other information on remote models, please refer to spec sheet 12-2.



Supplied With One
NEMA 5-15 P Plug

Continued product development may necessitate specification changes without notice.
Part No. TR35817 (revised 1/04)

Refrigeration System

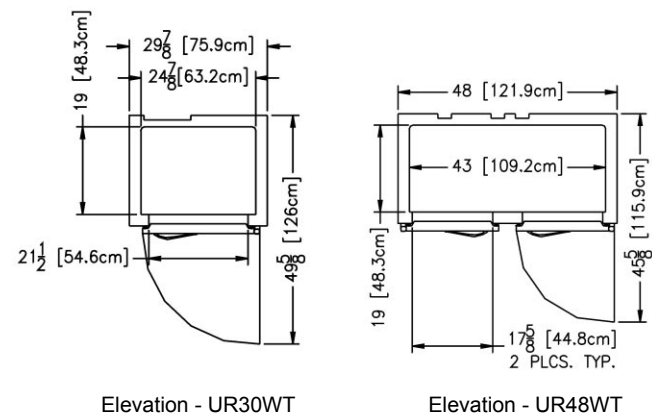
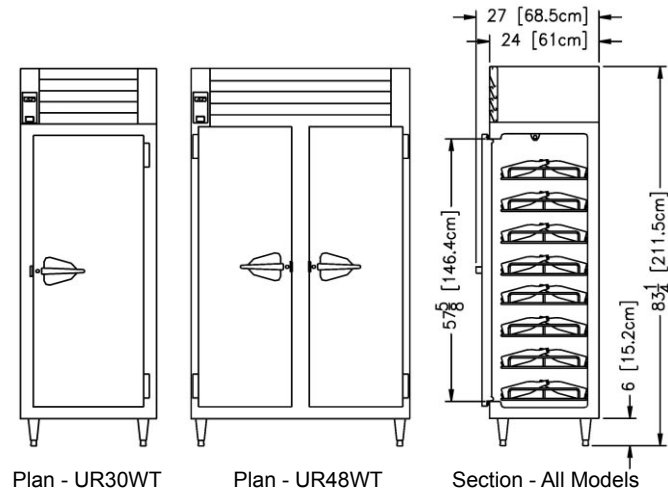
A balanced, top-mounted refrigeration system, using R-134a refrigerant is located behind a one piece louver assembly for easy access. The factory preset temperature control helps provide the ideal environment to properly age and store fine wine (operating temperature 53-57°F), while maintaining the proper air flow to eliminate any odors. Automatic condensate removal is provided through use of a bottom mounted electric condensate evaporator.

Interior

Each model is supplied with a standard compliment of eight (8) chrome plated wine racks per section. Traulsen wine racks hold approximately 10-12 wine bottle per shelf. Actual capacity will vary depending upon the diameter of bottles used.

Warranties

The standard warranty is a five year compressor warranty and a one year parts and labor warranty on all components and the cabinet. Additional warranties are available at extra cost.



Full load amps and plug style may vary depending on electrical options chosen and condensing unit employed.

NOTE: Freight charges are FOB destination for dock to dock delivery within the continental USA. Liftgate delivery charges are additional. For inside delivery charges, please consult fac-