



Concession Equipment Supreme™ Butter Servers

Models **BS-SS**
BSW-SS
BSWI-SS

Date:

Project:

Quantity:

Item Number:



BSW-SS #86540-BUT

  **US LISTED**  Units Available

Warranty

Server Products equipment is backed by a two-year limited warranty against defects in materials and workmanship. For a copy of our complete warranty statement, see our Website or contact us.

Bid Description

Redesigned with contemporary styling, Supreme™ butter servers feature rounded corners and are constructed of brushed (#4) stainless steel bodies with black thermoset plastic bottom and top. Each dispense directly from a supplied 3-quart (2.8 L) stainless steel jar. Pumps feature a cast valve body and welded construction. Maximum stroke yields 1-ounce (30 mL). Gauging collars are supplied to reduce the yield in ¼-ounce (7 mL) increments.

An adjustable, precalibrated thermostat controls the heating element. Each feature a "Power On" light and water fill line. To include a magnetic merchandising sign, add the suffix BUT for Butter.

The BSW-SS is designed with pump and spout warmer opposite the instrument panel side. BSWI-SS has spout warmer on the instrument panel side. Each has 515 watts.

BS-SS has 500 watts and includes pump without spout warmer.

Standard Features

- Pump design prevents loss of valve balls
- Maximum pump stroke yields 1-ounce (30 mL) with portion control in ¼-ounce (7 mL) increments
- Adjustable, precalibrated thermostat for accurate heat control
- Temperature marks on knob with protective knob guard
- Water fill line eliminates overflow accidents
- Accepts magnetic sign for versatile merchandising
- Two cleaning brushes included for pump maintenance

Butter Server Accessories

- 3-quart (2.8 L) Stainless Steel Jar #94009
- Stainless Steel Jar, Storage Lid #94008
- Magnetic Sign, Butter #86791

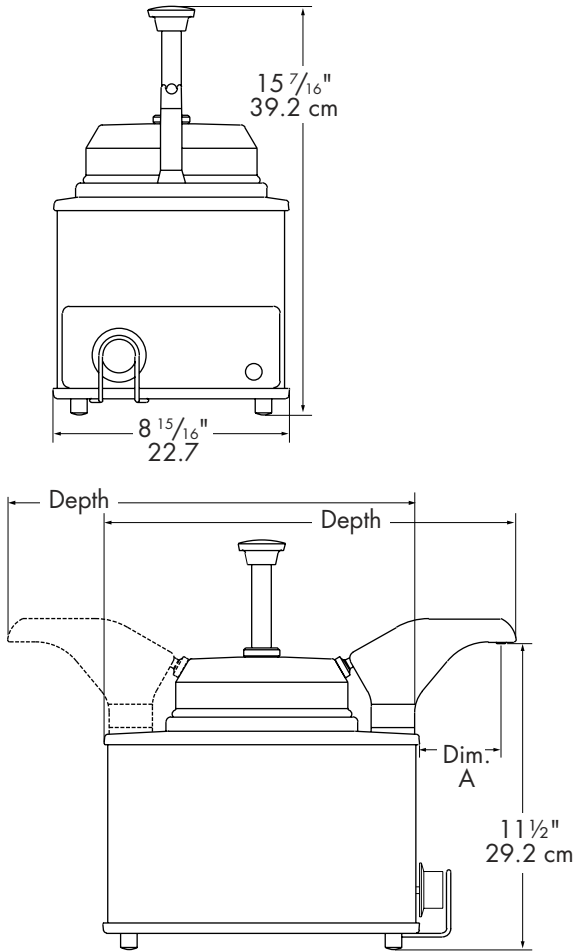
Specifications on reverse side



Concession Equipment Supreme™ Butter Servers

Models BS-SS
BSW-SS
BSWI-SS

Supreme™ Butter Server with Spout Warmer and Pump



Specifications

| Construction | Stainless steel base with black thermoset plastic bottom and top. Pumps feature a rugged cast valve body and welded construction. | | | |
|--------------|---|-------------------|-----------------|-----------|
| Capacity | Stainless steel jar holds 3-quarts (2.8 L). | | | |
| Electrical | 120V, 60Hz, 72 in (183 cm) cord set NEMA 5-15P, 15A, 125V PLUG | | | |
| Models | BSW-SS #86540 | BSWI-SS #86560 | BS-SS #86520 | |
| Height | in | 15 7/16 | 15 7/16 | 15 7/16 |
| | cm | 39.2 | 39.2 | 39.2 |
| Width | in | 8 15/16 | 8 15/16 | 8 15/16 |
| | cm | 22.7 | 22.7 | 22.7 |
| Depth | in | 15 1/2 | 15 1/2 | 15 1/8 |
| | cm | 39.4 | 39.4 | 38.4 |
| Dim. A | in | 3 1/16 | 3 1/16 | 3 1/16 |
| | cm | 7.8 | 7.8 | 7.8 |
| Ship Weight | | 13 lb | 13 lb | 13 lb |
| | | 5.9 kg | 5.9 kg | 5.9 kg |
| Electrical | | 515 watts | 515 watts | 500 watts |
| | | 4.3 amps | 4.3 amps | 4.2 amps |

FOB Richfield, Wisconsin 53076

CAD Library

We are a member of The KCL CADalog with more than 100 other manufacturers. Our CAD files can be purchased through Kochman Consultants, Ltd. at 847-470-1195, or e-mail sales@kclcad.com. Their Website is at www.kclcad.com.

