

SERVER

Condiment Units Cond. Dispensers

Models CP-1/6, CP-1/4, CP-1/3,
CP-1/2 DL, CP-5, CP-6 1/2,
CP-8 1/2, CP-10 1/2

Date:

Project:

Quantity:

Item Number:



CP-1/3 #83430



CP-1/2 DL #83480



CP-8 1/2 #83220



Warranty

Server Products equipment is backed by a two-year limited warranty against defects in materials and workmanship. For our complete warranty statement, see our Website or contact us.

Bid Description

Constructed of stainless steel, each condiment pump features a rugged cast valve body and welded construction. Maximum stroke yields 1-ounce (30 mL) with gauging collars supplied to reduce yield in 1/4-ounce (7 mL) increments. Steam table pans or vegetable insets are not included.

The CP-1/6, 1/4, 1/3, and CP-1/2 DL pumps are designed to fit directly on the corresponding standard size steam table pan.

Each of the CP-5, 6 1/2, 8 1/2, and 10 1/2 pumps are designed to fit directly on a standard size vegetable inset.

Standard Features

Durable stainless steel construction

Maximum stroke yields 1-ounce (30 mL)

Easy-to-adjust portion control in 1/4-ounce (7 mL) increments

Two cleaning brushes included for pump maintenance

Colored, engraved knobs to identify flavors are available upon request. For options, contact our customer service department.

Condiment Dispenser Accessories

- 1/6 size, 6" (15.2 cm) deep pan #90089
- 1/4 size, 6" (15.2 cm) deep pan #90086
- 1/3 size, 6" (15.2 cm) deep pan #90083
- 5" (12.7 cm) vegetable inset #81066
- 6 1/2" (16.5 cm) vegetable inset #81031
- 8 1/2" (21.6 cm) vegetable inset #84031
- 10 1/2" (26.7 cm) vegetable inset #84131
- Spout-side cleaning brush #82526
- Cylinder-side cleaning brush #82049

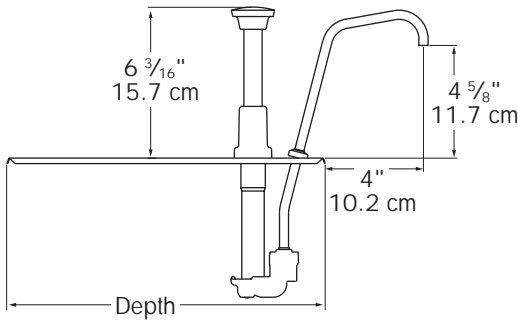
Specifications on reverse side

SERVER

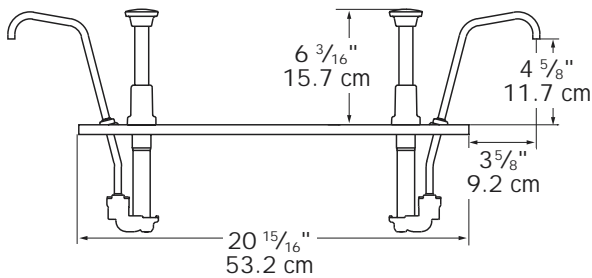
Condiment Units Cond. Dispensers

Models CP-1/6, CP-1/4, CP-1/3,
CP-1/2 DL, CP-5, CP-6 1/2,
CP-8 1/2, CP-10 1/2

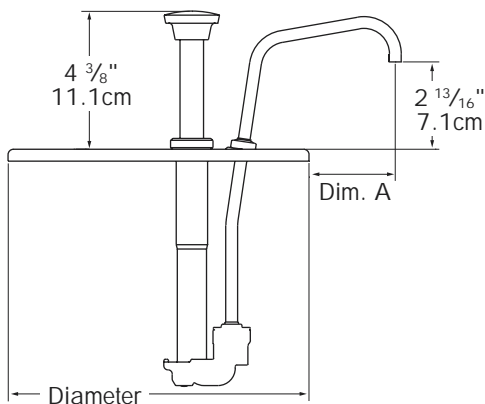
Condiment Pumps CP-1/6 #83400, CP-1/4 #83420, and CP-1/3 #83430



Condiment Pump CP-1/2 Double Long #83480



Condiment Pumps CP-5 #83920, CP-6 1/2 #83200, CP-8 1/2 #83220, and CP-10 1/2 #83240



Specifications

Construction	Stainless steel pumps with rugged cast valve body and welded construction.			
Dimensions	Measurements are shown above pan or inset.			

Models	CP-1/6 #83400	CP-1/4 #83420	CP-1/3 #83430	CP-1/2 DL #83480
Capacity	2.7 qt 2.6 L	4.5 qt 4.3 L	6.1 qt 5.8 L	10 qt 9.5 L
Width	in 6 7/16 cm 17.5	in 6 5/8 cm 16.8	in 7 1/8 cm 18.1	in 6 9/16 cm 16.7
Depth	in 7 1/16 cm 17.9	in 10 1/2 cm 26.7	in 13 1/16 cm 33.2	in 20 15/16 cm 53.2
Ship Weight	3 lb 1.4 kg	4 lb 1.8 kg	4 lb 1.8 kg	7 lb 3.2 kg

Models	CP-5 #83920	CP-6 1/2 #83200	CP-8 1/2 #83220	CP-10 1/2 #83240
Capacity	2.5 qt 2.4 L	4 qt 3.8 L	7 qt 6.6 L	11 qt 10.4 L
Dim. A	in 3 5/8 cm 9.2	in 2 11/16 cm 6.8	in 2 3/4 cm 7	in 2 3/4 cm 7
Lid	in 5 5/8	in 7 9/16	in 9 9/16	in 11 3/8
Dia.	cm 14.3	cm 19.2	cm 24.3	cm 28.9
Cutout	in 5	in 6 1/2	in 8 1/2	in 10 1/2
Dia.*	cm 12.7	cm 16.5	cm 21.6	cm 26.7
Ship Weight	3 lb 1.4 kg	3 lb 1.4 kg	4 lb 1.8 kg	5 lb 2.3 kg

* Dimension varies according to mfg.

Option	CP-8 1/2 Lockable #83910. Fits a 7 qt. (6.6 L) inset the same as CP-8 1/2, except includes a hold down screw on the lid.
--------	--

FOB Richfield, Wisconsin 53076

CAD Library

We are a member of The KCL CADalog with more than 100 other manufacturers. Our CAD files can be purchased through Kochman Consultants, Ltd. at 847-470-1195, or e-mail sales@kclcad.com. Their website is at www.kclcad.com.

