

SERVER

Food Servers Food Server/Cooker Series

Models FS-4,
FS-7, FS-11

Date:

Project:

Quantity:

Item Number:



FS-4 #81000



FS-11 #84100



NSF-certified as a rethermalization unit

CE Units Available

Warranty

Server Products equipment is backed by a two-year limited warranty against defects in materials and workmanship. For a copy of our complete warranty statement, see our Website or contact us.

Bid Description

The Food Server/Cooker series of water bath warmer/cookers is constructed of stainless steel with a polished finish. Inset and lid assemblies are included. The lid stays upright during ladling and features a rim that collects moisture and returns it to the food. Food Server/Cookers heat frozen product to serving temperature (160° F, 71° C) and are NSF-certified as rethermalization units.

An adjustable precalibrated thermostat controls the heating element. Temperature settings marked on thermostat knob — range from 100° F (38° C) to 200° F (93° C) on FS-4. FS-7 and FS-11 range from 60° F (16° C) to 200° F (93° C).

FS-4 has a 4-quart (3.8 L) capacity with 500 watts. Power is controlled with an ON/OFF rocker switch.

FS-7 has a 7-quart (6.6 L) capacity with 1000 watts. FS-11 has an 11-quart (10.4) capacity with 1500 watts. Power is controlled with a positive off/on thermostat for both the FS-7 and FS-11.

Standard Features

Water fill line eliminates overflow accidents

Adjustable precalibrated thermostat for accurate heat control

Temperature marks on knob with protective knob guard

NSF-certified as a rethermalization unit

Inside lid rim returns moisture to the food to retain flavor

Hinged lid stays upright during ladling for easy customer use

New handle on FS-7 and FS-11 assists in opening larger lids ergonomically—no more reaching

Food Server/Cooker Accessories

- 4-quart (3.8 L) Inset & Lid Assembly #81050
- 7-quart (6.6 L) Inset & Lid Assembly #84040
- 11-quart (10.4 L) Inset & Lid Assembly #84149
- 2-ounce (59 mL) Ladle #82660
- 4-ounce (118 mL) Ladle #82574
- 6-ounce (177 mL) Ladle #82661
- 8-ounce (237 mL) Ladle #82662

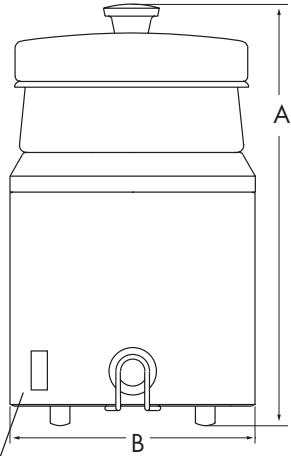
Specifications on reverse side

SERVER

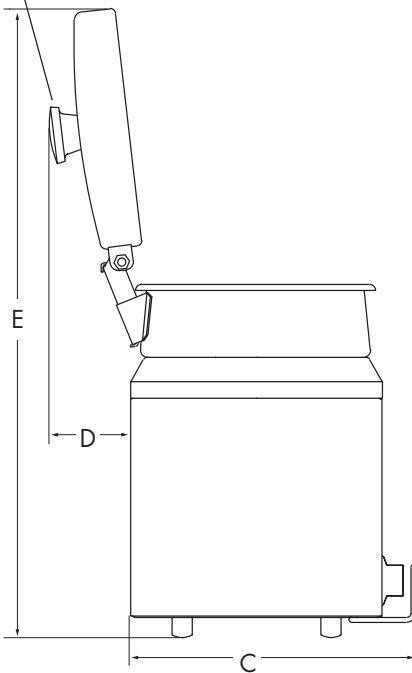
Food Servers Food Server/Cooker Series

**Models FS-4,
FS-7, FS-11**

Food Server/Cooker Series



Note: ON/OFF switch and lid knob is on FS-4 only.



Specifications

Construction	Stainless steel units with a polished finish. Includes exclusive inset and lid assembly.		
Electrical	120V, 60Hz, 72 in (183 cm) cord set NEMA 5-15P, 15A, 125V PLUG		
Models	FS-4 #81000	FS-7 #84000	FS-11 #84100
Capacity qt	4	7	11
L	3.8	6.6	10.4
A-Height in	13 ⁵ / ₁₆	14 ³ / ₁₆	14 ³ / ₁₆
cm	33.8	36	36
B-Width in	7 ³ / ₄	9 ⁹ / ₁₆	11 ⁹ / ₁₆
	19.7	24.3	29.4
C-Depth in	8 ¹³ / ₁₆	11	13
cm	22.4	27.9	33
D-Depth in	2 ¹ / ₂	2 ³ / ₁₆	2 ³ / ₁₆
cm	6.4	5.6	5.6
E-Height in	19 ³ / ₈	22 ⁹ / ₁₆	24 ⁹ / ₁₆
cm	49.2	57.3	62.4
Electrical	500 watts 4.1 amps	1000 watts 8.3 amps	1500 watts 12.5 amps
Ship Weight	9 lb 4.1 kg	13 lb 5.9 kg	18 lb 8.2 kg

FOB Richfield, Wisconsin 53076

CAD Library

We are a member of The KCL CADalog with more than 100 other manufacturers. Our CAD files can be purchased through Kochman Consultants, Ltd. at 847-470-1195, or e-mail sales@kclcad.com. Their website is at www.kclcad.com.

