



Concession Equipment Butter Server Automatic

Model BSA

Date:

Project:

Quantity:

Item Number:



BSA #05000



Bid Description

Butter Server Automatic is constructed of stainless steel with a brushed (#4) finish and a durable black plastic hinged lid. The trigger bar automatically dispenses portions of 4.5 mL. Unit comes complete with an exclusive 3½-quart (3.3 L) stainless steel bowl #05274 and an attention-grabbing, wrap-around graphic. Includes flavor decals to indicate Real Buttered Popcorn or Golden Flavored Popcorn.

An adjustable precalibrated thermostat controls a 350 watt heating element. Temperature settings—marked on the name-plate—range from 85° F (30° C) to 185° F (85° C). Power is controlled with an ON/OFF rocker switch.

Standard Features

Trigger bar automatically dispenses accurate 4.5 mL portions for hands-free dispensing

Exclusive 3½-quart (3.3 L) stainless steel bowl

Adjustable precalibrated thermostat keeps butter at desired temperature and consistency

350 watt heating element provides reliable heating and holding

Real Buttered Popcorn and Golden Flavored Popcorn decals

Cleaning brush is included for unit maintenance

Butter Server Automatic Accessories

3½-quart (3.3 L) Stainless Steel Bowl #05274

Cleaning Brush #82009

Warranty

Server Products equipment is backed by a two-year limited warranty against defects in materials and workmanship. For a copy of our complete warranty statement, see our Website or contact us.

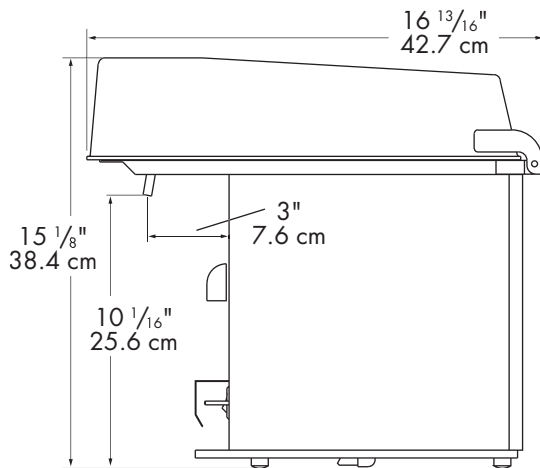
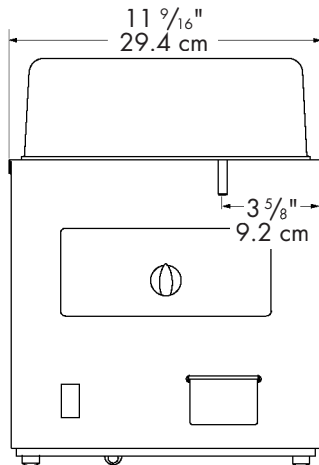
Specifications on reverse side

SERVER

Concession Equipment Butter Server Automatic

Model BSA

Butter Server Automatic BSA #05000



Specifications

Construction	Stainless steel with a brushed (#4) finish and a durable plastic hinged lid.		
Capacity	3½-quart (3.3 L) capacity		
Dimensions	<u>Height</u>	<u>Width</u>	<u>Depth</u>
	in 15 1/8	11 9/16	16 13/16
	cm 38.4	29.4	42.7
Electrical	120V, 60Hz, 375W, 3.1 A 72 in (183 cm) cord set NEMA 5-15P, 15A, 125V PLUG		
Ship Weight	29 lb (13.2 kg)		

FOB Richfield, Wisconsin 53076

CAD Library

We are a member of The KCL CADalog with more than 100 other manufacturers. Our CAD files can be purchased through Kochman Consultants, Ltd. at 847-470-1195, or e-mail sales@kclcad.com. Their website is at www.kclcad.com.



Server Products, Inc. • P.O. Box 98 • Richfield, WI 53076 • Toll Free: 800-558-8722
P: 262-628-5600 • F: 262-628-5110 • spsales@server-products.com • www.server-products.com

Server Products, Inc. reserves the right to modify specifications without obligation. Printed in USA

3-2004/10M Stock 02058