

TRANSPORT DOLLIES 500 SERIES

FEATURES AND BENEFITS:

- Sturdy dolly for storage and transport of miscellaneous pans, cup and glass racks, or baskets.
- Constructed of non-corrosive, Hi-Tensile aluminum.
- Base and corner gussets formed of .100 aluminum for strength and durability.
- Heavy duty 5" swivel casters, two with brakes. Provides mobility when fully loaded. No rust sealed bearings prevent "wheel lock" in wet environments.



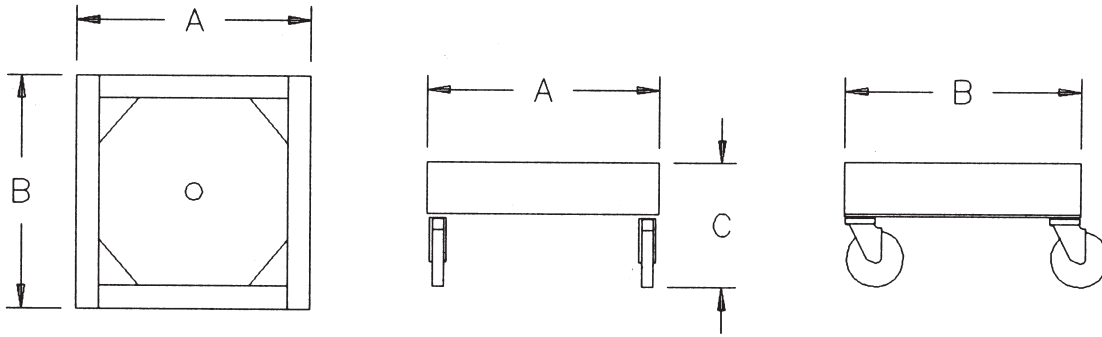
500-2020
(Shown with accessory handle)



ACCESSORIES and OPTIONS (Available at extra cost):

- Rigid or Spring-Back Push Handle
- Corner Bumpers
- Various Caster Options

See page H-9 for accessory details.



CRES COR MODEL NO.	PAN SIZE		DIM "A" WIDTH		DIM "B" DEPTH		DIM "C" HEIGHT		WEIGHT ACT.	
	INCHES	MM	INCHES	MM	INCHES	MM	INCHES	MM	LBS	KG
500-2020	20 x 20	510 x 510	20-5/8	525	20-5/8	525	8-7/8	225	19	9
500-1326-2	13 x 26 ¹	330 x 660	27-5/8	705	26-5/8	680	8-7/8	225	24	11

¹ Carries two 13" x 26" baskets for side by side for Basket Retherm operations.

ALL ALUMINUM CONSTRUCTION.

BASE:

- Base and corner gussets: Formed .100 aluminum and fastened together with machine screws.
- Casters: 5" dia., swivel, modulus tires, 1-1/4 wide, load cap. 250 lbs. each, temp. range -45°/+180°F. Delrin bearings. Two casters equipped with brakes.

SHORT FORM SPECIFICATIONS

Cres Cor Transport Dolly Model 500-_____ formed of .100 aluminum, corner gussets fastened with machine screws. Five inch swivel modulus casters have Delrin bearings. Load capacity 250 lbs. each. Provide the following accessories: _____. NSF listed. 2 year parts warranty.