



STAINLESS STEEL

REGALINE SINKS

One Compartment - One Drainboard

(Specify Drainboard Location)



"940" Series shown

Item #: _____ Qty #: _____
 Model #: _____
 Project #: _____

FEATURES:

Tile edge for ease of installation.
 One piece **Deep Drawn** sink bowls with integral drainboards with splash.
 Featuring the single bowl unit design.
 All sink bowls have a large liberal 3" radius.
 Placement of the welded leg assembly ensures stability and furnishes direct support of the column load requirement for the entire sink unit.

"940" series is supplied with front and rear cross brace.

CONSTRUCTION:

All TIG welded.
 Welded areas blended to match adjacent surfaces and to a satin finish.
 Gussets welded to a die-embossed reinforcing channel.

Spec-Line: 940 Series - 11" High Splash.
Standard: 930 Series - 8" Splash.
Super Saver: 900 Series - 8" Splash.

MATERIAL:

940 Series: 14 gauge type 304 stainless steel.
930 Series: 16 gauge type 304 stainless steel.
900 Series: 18 gauge type 304 stainless steel.

- LEGS:**
- 1 5/8" diameter tubular stainless steel.
 - Stainless steel gussets.
 - Stainless Steel 1" adjustable bullet feet.

YES! It's SeaLess!

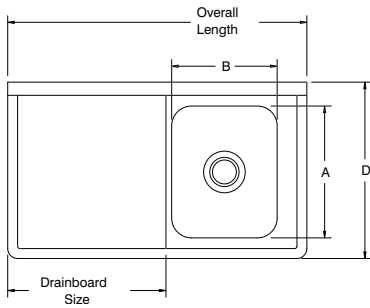
DESCRIPTION			940 Series Spec-Line	930 Series Standard	900 Series Supersaver
BOWL (SIZE)	Overall Length	Recommended Use	MODEL #	MODEL #	MODEL #
16x20	54"	DISH SINKS	94-1-24-18R or L	93-1-24-18R or L	9-1-24-18R or L
	66"		94-1-24-24R or L	93-1-24-24R or L	9-1-24-24R or L
	90"		94-1-24-36R or L	93-1-24-36R or L	9-1-24-36R or L
20x20	58"	DISH & POT SINKS	94-21-20-18R or L	93-21-20-18R or L	9-21-20-18R or L
	70"		94-21-20-24R or L	93-21-20-24R or L	9-21-20-24R or L
	94"		94-21-20-36R or L	93-21-20-36R or L	9-21-20-36R or L
18x24	56"	POT & PAN SINKS	94-61-18-18R or L	93-61-18-18R or L	9-61-18-18R or L
	68"		94-61-18-24R or L	93-61-18-24R or L	9-61-18-24R or L
	92"		94-61-18-36R or L	93-61-18-36R or L	9-61-18-36R or L
24x24	74"	POT SINKS	94-41-24-24R or L	93-41-24-24R or L	9-41-24-24R or L
	98"		94-41-24-36R or L	93-41-24-36R or L	9-41-24-36R or L
20x28	58"	PAN SINKS	94-81-20-18R or L	93-81-20-18R or L	9-81-20-18R or L
	70"		94-81-20-24R or L	93-81-20-24R or L	9-81-20-24R or L
	94"		94-81-20-36R or L	93-81-20-36R or L	9-81-20-36R or L
SPECIFY DRAINBOARD LOCATION			14" Water Level 17" Flood Level	12" Water Level 15" Flood Level	12" Water Level 15" Flood Level

<p>www.advancetabco.com</p>	<p>NEW YORK (800) 645-3166 Fax: (631) 242-6900</p>	<p>GEORGIA (800) 832-1218 Fax: (770) 775-5625</p>	<p>TEXAS (800) 527-0353 Fax: (972) 932-4795</p>	<p>NEVADA (800) 446-8684 Fax: (775) 972-1578</p>
	<p>For Assistance with Smart Modifications & Accessories Call: 1-800-498-6634 Fax: 631-586-2933 smartfab@advancetabco.com</p>			

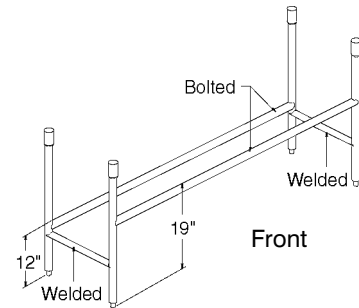
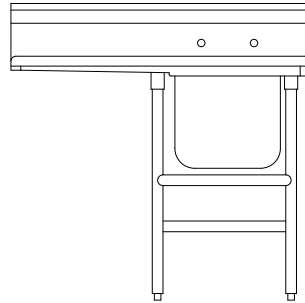
DIMENSIONS and SPECIFICATIONS

TOL Overall: ± .500"
Interior: ± .250"

ALL DIMENSIONS ARE TYPICAL



(Specify Drainboard Location)



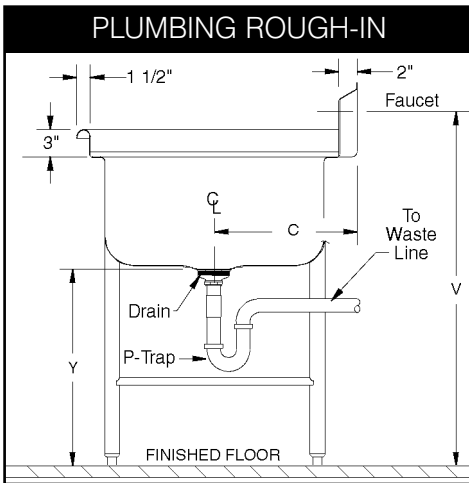
(Left hand Drainboard Shown)

940 Series Cross Bracing

DESCRIPTION

BOWL (SIZE)	Overall Length	DRBD (SIZE)	WT* (lbs)	Recommended Use	940 SERIES					900 & 930 SERIES								
					A	B	C	D	V	W	X	Y	Z	V	W	X	Y	Z
16x20	54"	18"	65	DISH SINKS	20"	16"	13 5/8"	27"	41"	11"	14"	20"	45"	38"	8"	12"	22"	42"
	66"	24"	75															
	90"	36"	85															
20x20	58"	18"	75	DISH & POT SINKS	20"	20"	13 5/8"	27"	41"	11"	14"	20"	45"	38"	8"	12"	22"	42"
	70"	24"	90															
	94"	36"	100															
18x24	56"	18"	85	POT & PAN SINKS	24"	18"	15 5/8"	31"	41"	11"	14"	20"	45"	38"	8"	12"	22"	42"
	68"	24"	100															
	92"	36"	110															
24x24	74"	24"	110	POT SINKS	24"	24"	15 5/8"	31"	41"	11"	14"	20"	45"	38"	8"	12"	22"	42"
	98"	36"	120															
20x28	58"	18"	105	PAN SINKS	28"	20"	17 5/8"	35"	41"	11"	14"	20"	45"	38"	8"	12"	22"	42"
	70"	24"	120															
	94"	36"	130															

* Approx. Shipping Weights



MECHANICAL:

- Supply is 1/2" IPS hot & cold.
- Faucet holes on 8" centers.
- Faucets are not included (**see accessories**).
- Waste drains are 1 1/2" IPS S/S basket type, located in center of sink bowl, and are included.

