

Keyhole Bracket for easier installation and greater stability.



7-PS-22



7-PS-23

**WITH SOAP & TOWEL DISPENSERS**



7-PS-84



7-PS-83

Item #: \_\_\_\_\_ Qty #: \_\_\_\_\_

Model #: \_\_\_\_\_

Project #: \_\_\_\_\_

**FEATURES:**

One piece **Deep Drawn** sink bowl design.

Sink bowl is 9" x 9" x 5".

All sink bowls have a large liberal radii with a minimum dimension of 1" and are square in design.

Keyhole wall mount bracket.

1 1/2" stainless steel drain with strainer plate.

**Specific Features:**

**7-PS-22** and **7-PS-83** 4" O.C. centerset faucet furnished with aerator.

**7-PS-23** and **7-PS-84** 4" O.C. splash mounted gooseneck faucet furnished with aerator.

**7-PS-83** and **7-PS-84** liquid soap & towel dispenser with hinged towel box. Unit uses standard C-fold towels.

**CONSTRUCTION:**

All TIG welded.

Welded areas blended to match adjacent surfaces and to a satin finish.

Die formed Countertop Edge with a No-Drip offset.

One sheet of stainless steel is used to minimize seams.

**MATERIAL:**

Heavy gauge type 304 series stainless steel.

Wall mounting bracket is stainless steel and of offset design.

All fittings are brass / chrome plated unless otherwise indicated.

**MECHANICAL:**

Faucet supply is 1/2" IPS male thread hot and cold.

**FOR REPLACEMENT FAUCET, DRAINS  
AND ACCESSORIES  
SEE PAGE A-12**

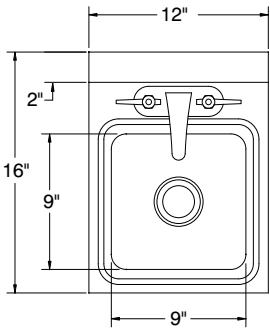
# DIMENSIONS and SPECIFICATIONS

TOL Overall: ± .500" Interior: ± .250"

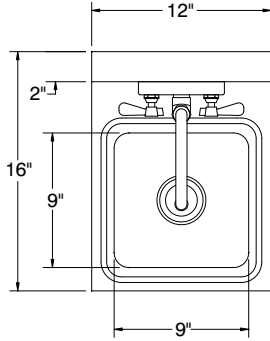
FITTINGS SUPPLIED AS SHOWN

ALL DIMENSIONS ARE TYPICAL

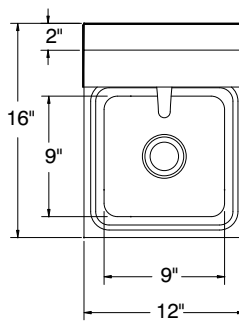
TOP VIEW FOR 7-PS-22



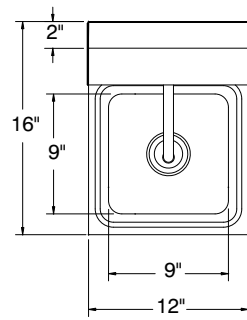
TOP VIEW FOR 7-PS-23



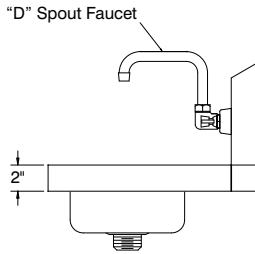
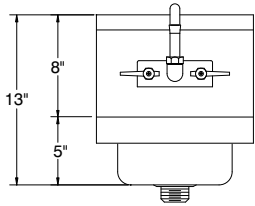
TOP VIEW FOR 7-PS-83



TOP VIEW FOR 7-PS-84

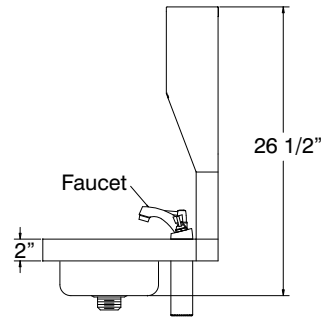
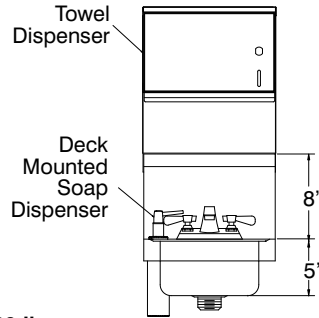


7-PS-23



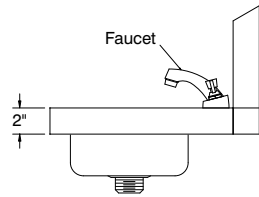
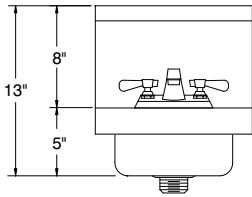
12 lbs.

7-PS-83



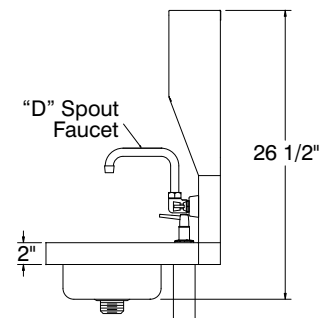
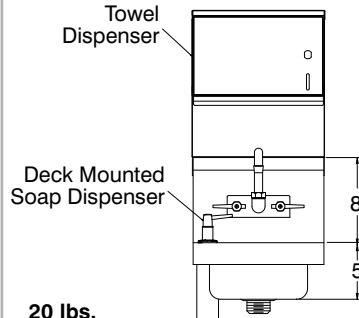
20 lbs.

7-PS-22



12 lbs.

7-PS-84



20 lbs.

## SUGGESTED PLUMBING

